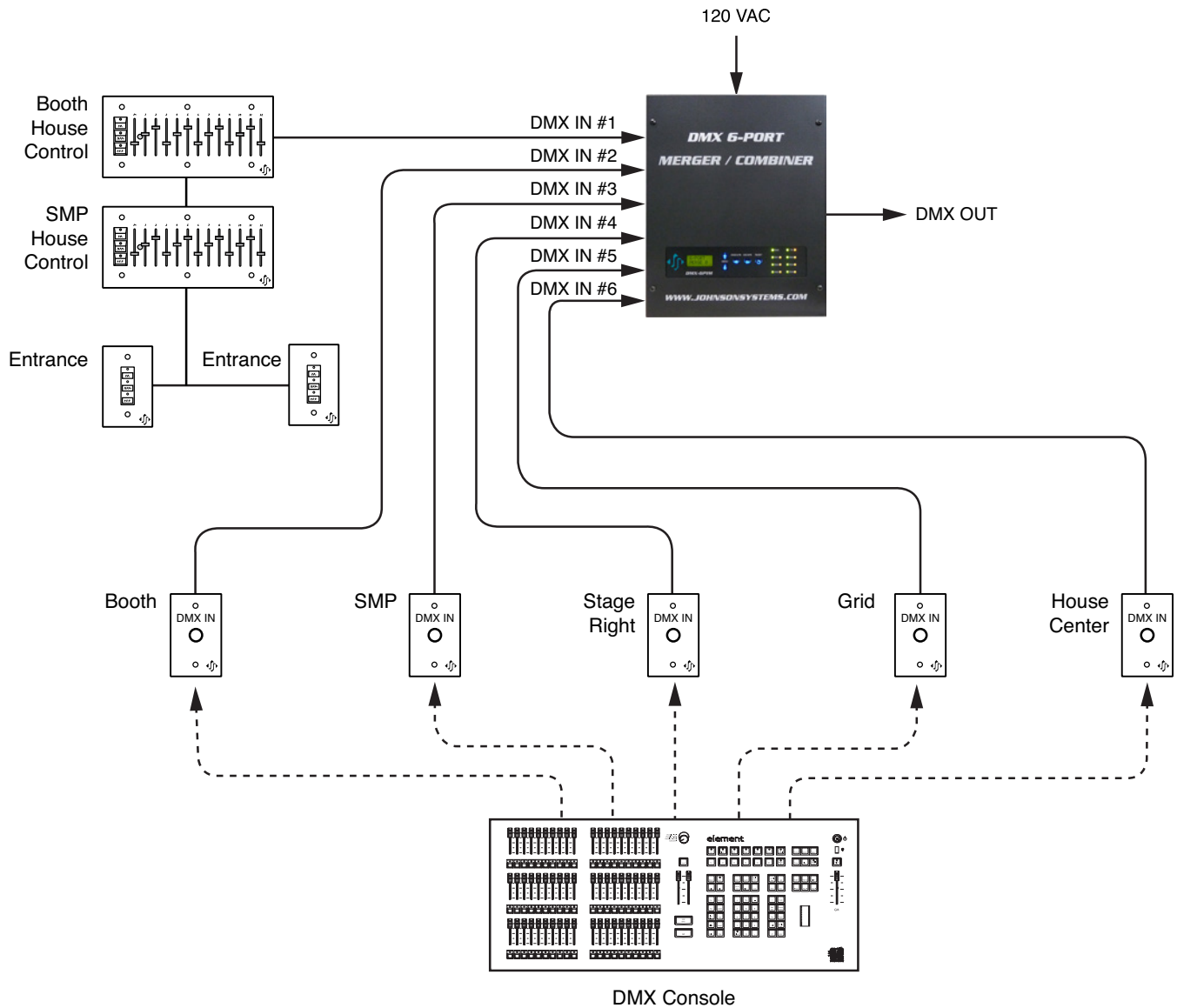


# ***DMX 6-PORT MERGER***

## ***Application Risers***



### **Theatrical Example #1**

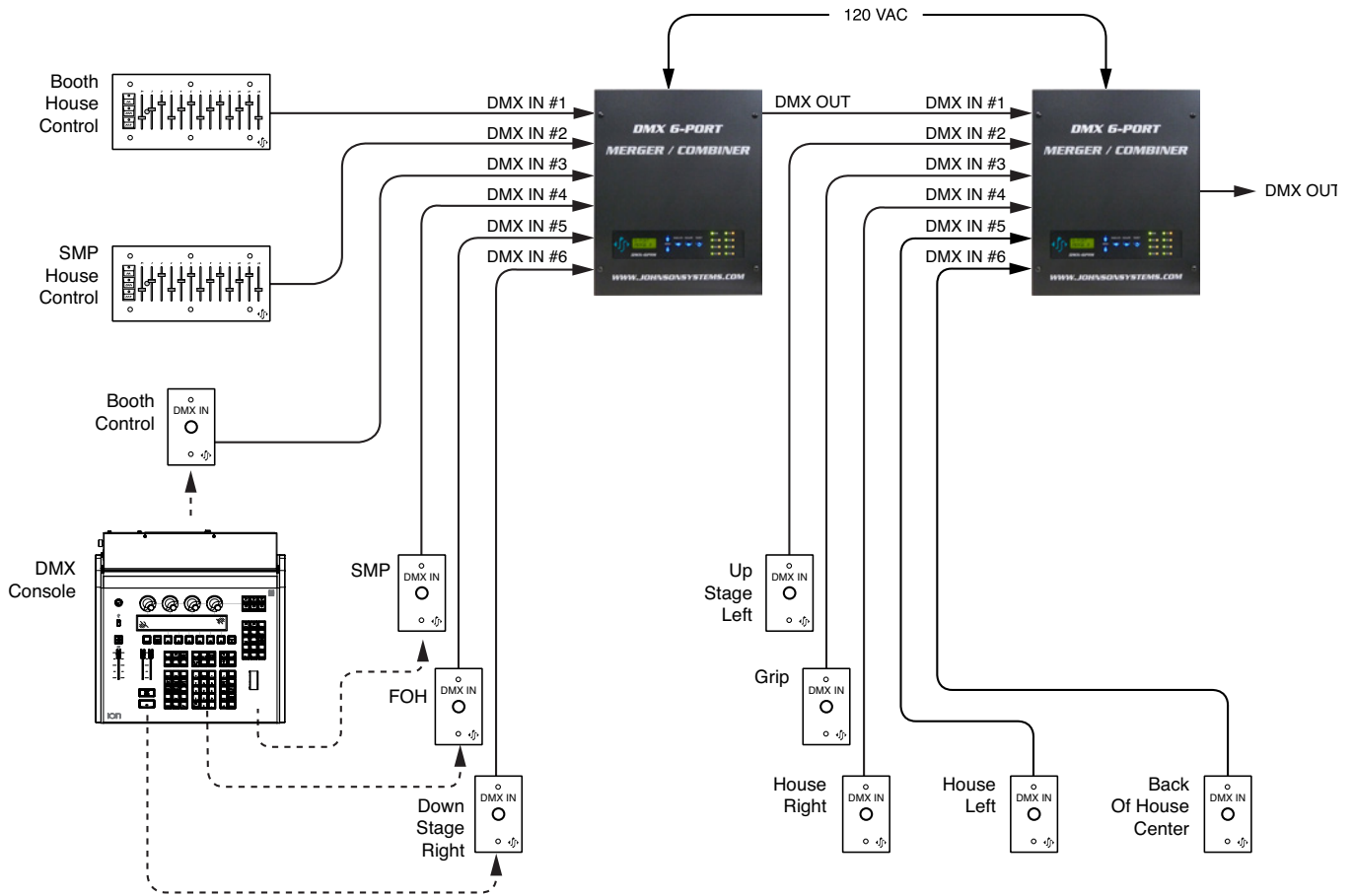


**JOHNSON SYSTEMS INC.**

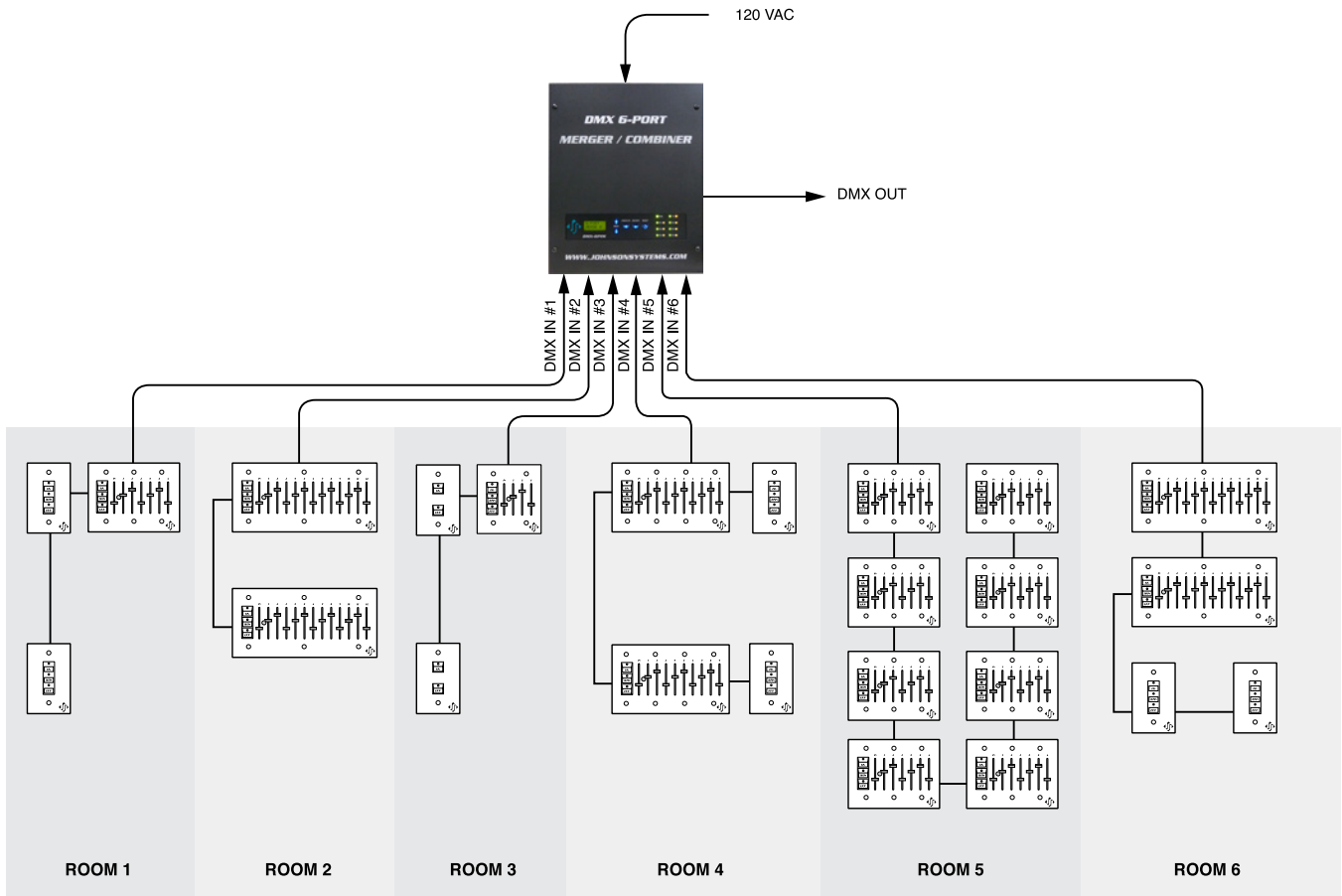
"PROFESSIONAL LIGHT CONTROL PRODUCTS"

1923 Highfield Crescent S.E.  
 Calgary, Alberta, Canada T2G 5M1  
 tel: 403.287.8003  
 fax: 403.287.9003  
 e-mail: info@johnsonsystems.com  
 website: www.johnsonsystems.com





## Theatrical Example #2



## Architectural Example #1

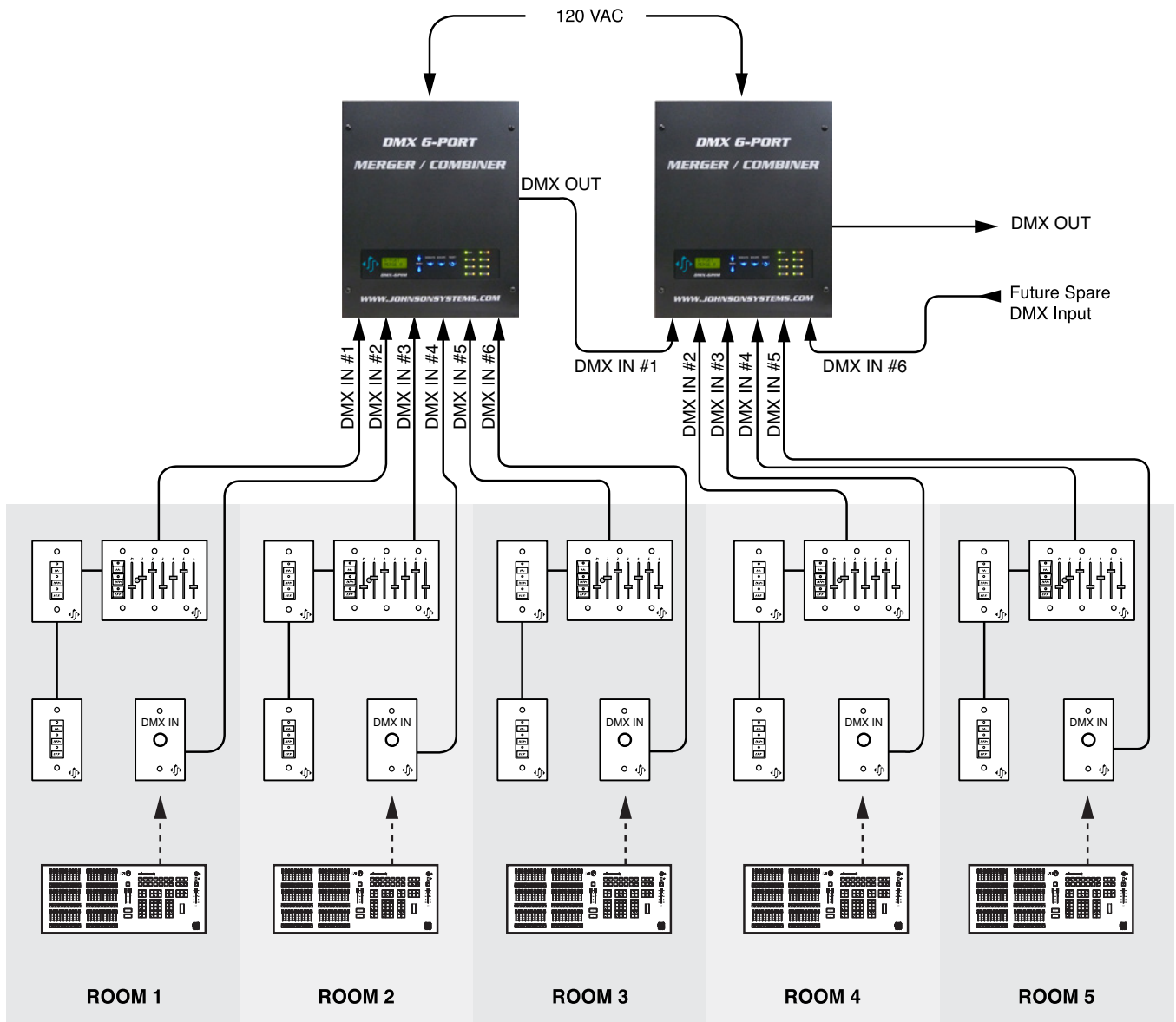
with Johnson Systems CS-DMX Series Control Stations



**JOHNSON SYSTEMS INC.**  
 "PROFESSIONAL LIGHT CONTROL PRODUCTS"

1923 Highfield Crescent S.E.  
 Calgary, Alberta, Canada T2G 5M1  
 tel: 403.287.8003  
 fax: 403.287.9003  
 e-mail: [info@johnsonsystems.com](mailto:info@johnsonsystems.com)  
 website: [www.johnsonsystems.com](http://www.johnsonsystems.com)





## Architectural Example #2



**JOHNSON SYSTEMS INC.**  
 "PROFESSIONAL LIGHT CONTROL PRODUCTS"

1923 Highfield Crescent S.E.  
 Calgary, Alberta, Canada T2G 5M1  
 tel: 403.287.8003  
 fax: 403.287.9003  
 e-mail: info@johnsonsystems.com  
 website: www.johnsonsystems.com

