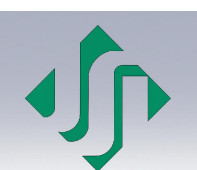


DIMENSIONS ARE IN INCHES UNLESS OTHERWISE SPECIFIED TOLERANCES: FRACTIONAL ± 1/64" ANGULAR: BEND ±0.1% THREE PLACE DECIMAL ± .005"	File Location: C:\Solidworks Working Directory\	
	DO NOT SCALE DRAWING	

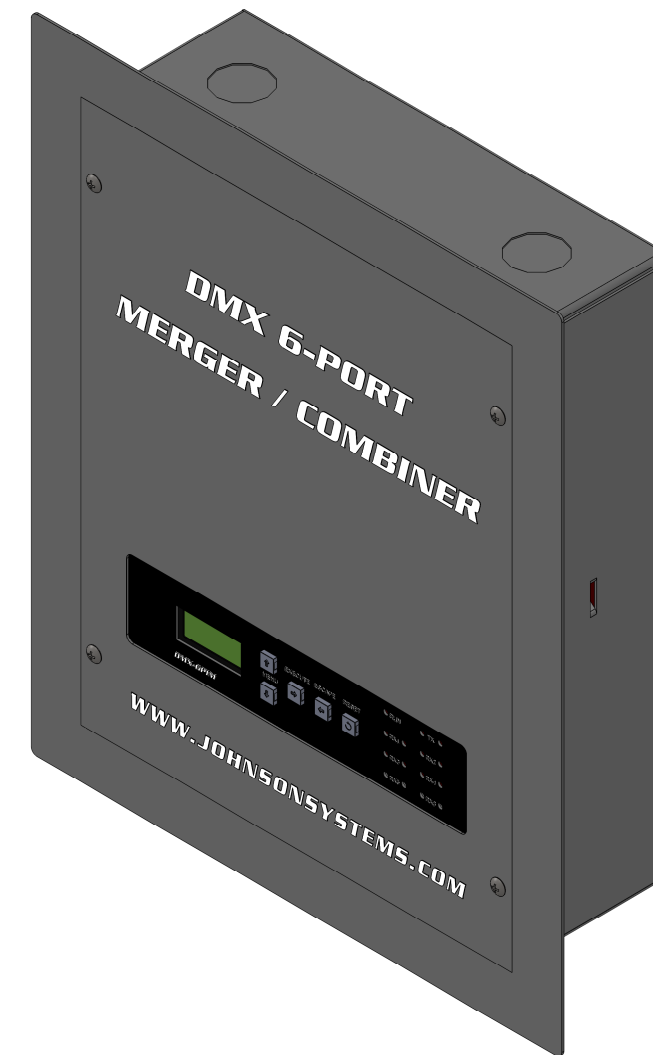
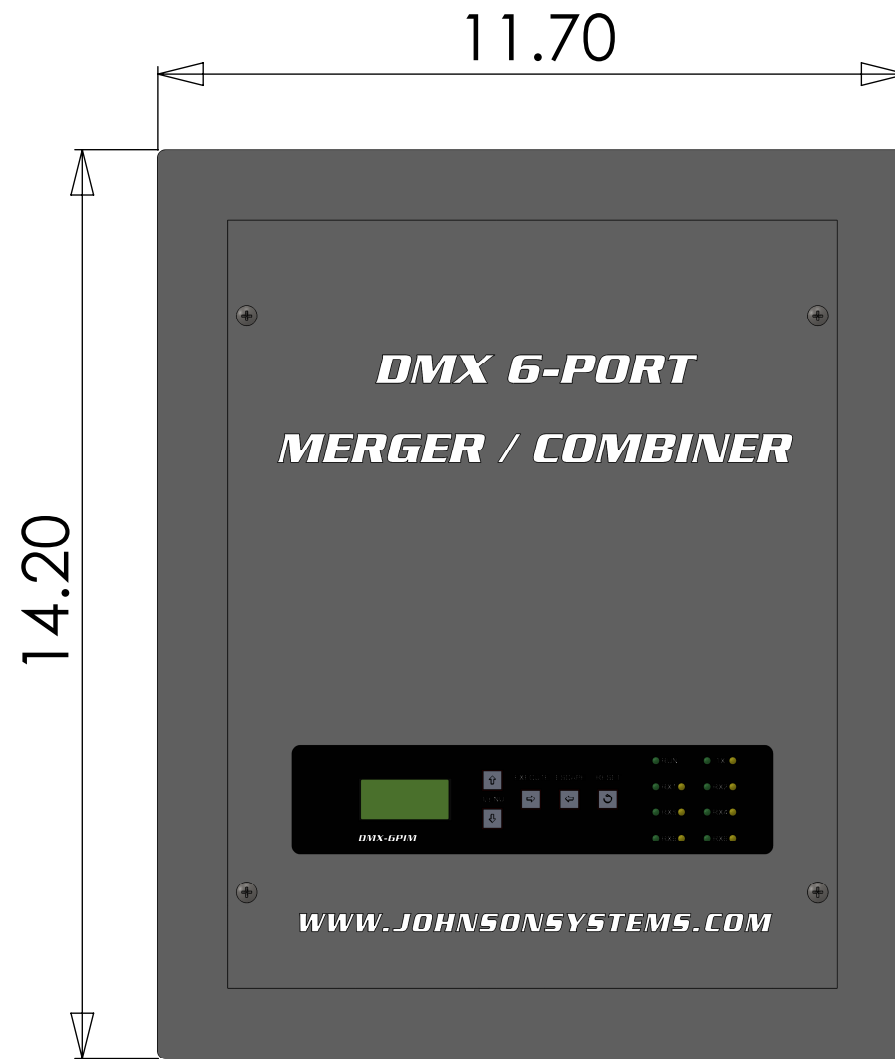
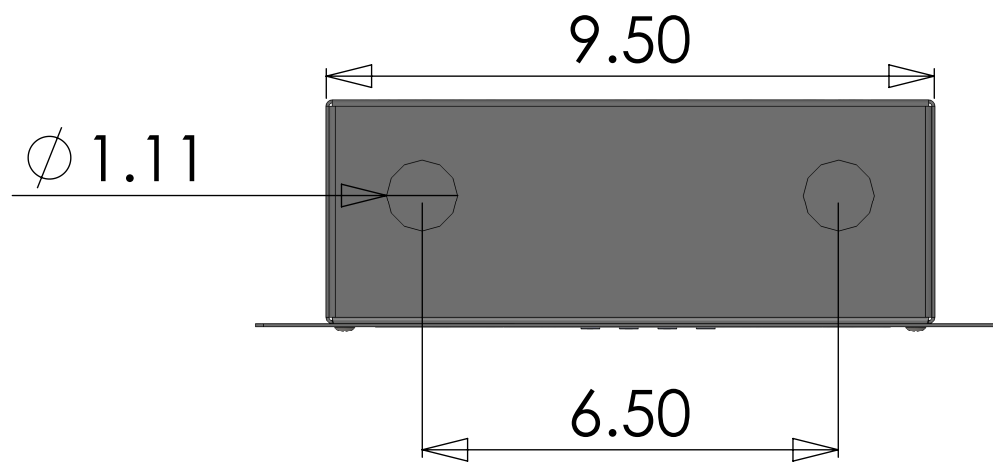
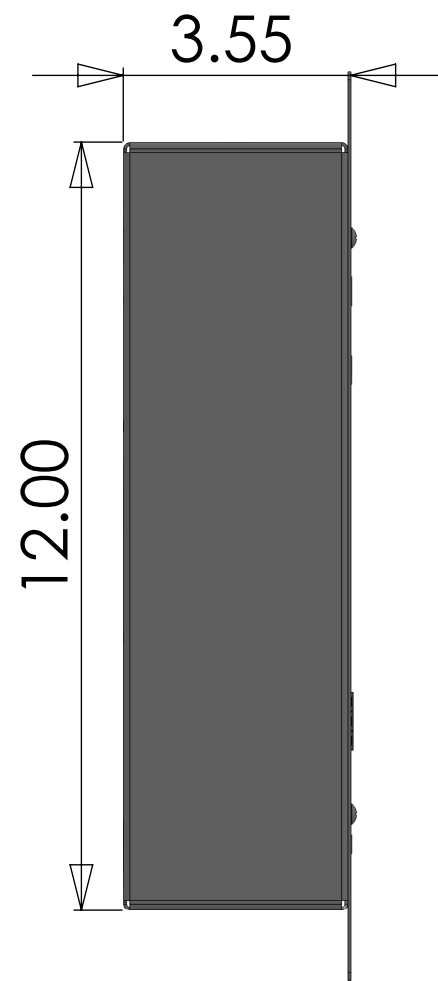
	NAME	DATE
DRAWN	W.Dippenaar	1/18/2013
CHECKED	S.Johnson	1/18/2013
REV.	02WC	

THE INFORMATION CONTAINED IN THIS DRAWING IS THE SOLE PROPERTY OF JOHNSON SYSTEMS INC. ANY REPRODUCTION IN PART OR AS A WHOLE WITHOUT THE WRITTEN PERMISSION OF JOHNSON SYSTEMS INC. IS PROHIBITED.

JOHNSON SYSTEMS INC.
 1923 Highfield Crescent SE.
 Calgary, Alberta
 Canada T2G 5M1
 (403) 287-8003
 (403) 287-9003 Fax



Part # DMX-6PM Complete Rev2.0
 Note: -----




DIMENSIONS ARE IN INCHES UNLESS OTHERWISE SPECIFIED TOLERANCES: FRACTIONAL ± 1/64" ANGULAR: BEND ±01% THREE PLACE DECIMAL ± .005" MATERIAL 18 Gauge CRS FINISH Cardinal Black Hammer Epoxy E311-BK04 Semi-Gloss Hammer	File Location: C:\Solidworks Working Directory\
	DO NOT SCALE DRAWING

	NAME	DATE
DRAWN	W.Dippenaar	1/18/2013
CHECKED	S.Johnson	1/18/2013
REV.	02WC	

THE INFORMATION CONTAINED IN THIS DRAWING IS THE SOLE PROPERTY OF JOHNSON SYSTEMS INC. ANY REPRODUCTION IN PART OR AS A WHOLE WITHOUT THE WRITTEN PERMISSION OF JOHNSON SYSTEMS INC. IS PROHIBITED.

JOHNSON SYSTEMS INC.
 1923 Highfield Crescent SE.
 Calgary, Alberta
 Canada T2G 5M1
 (403) 287-8003
 (403) 287-9003 Fax



Part # DMX-6PM Complete Rev2.0
 Note: -----