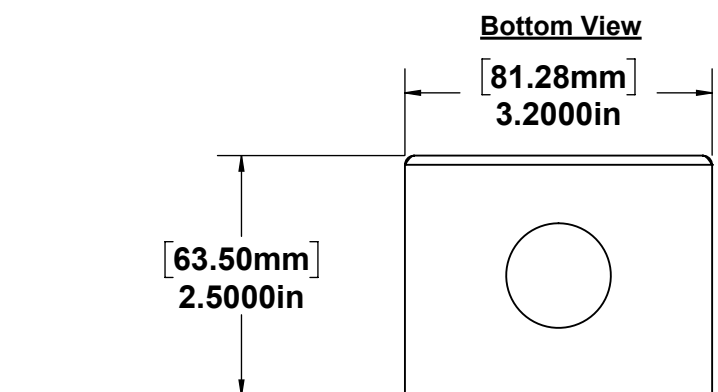
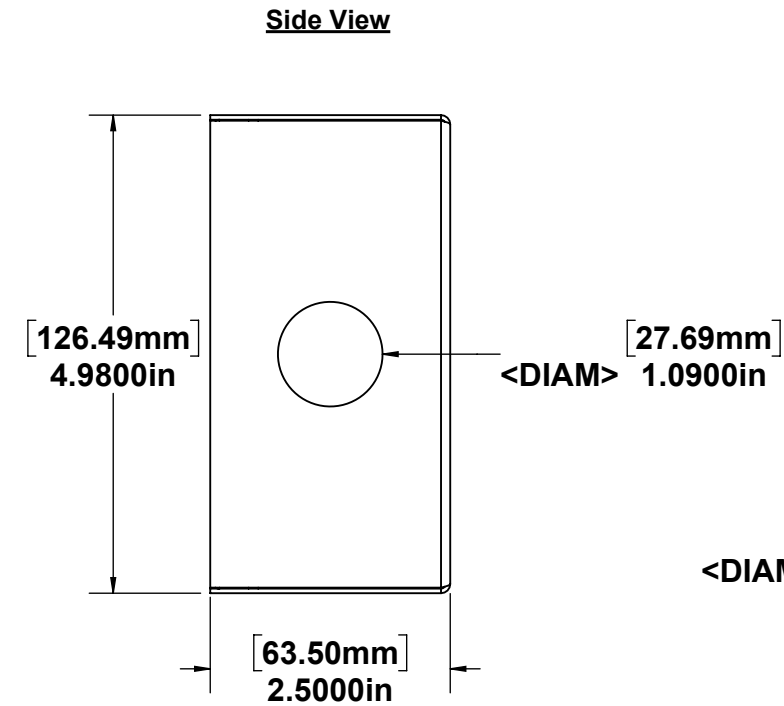
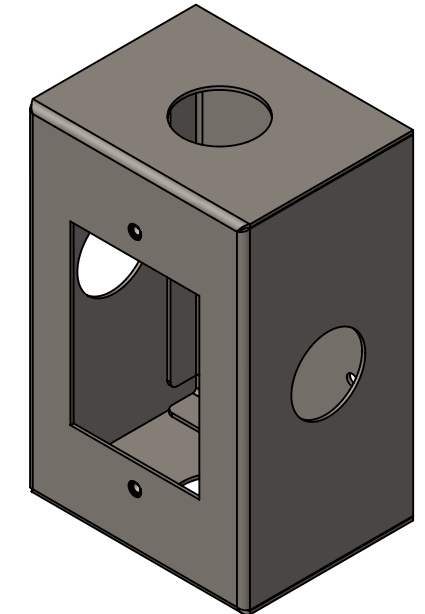
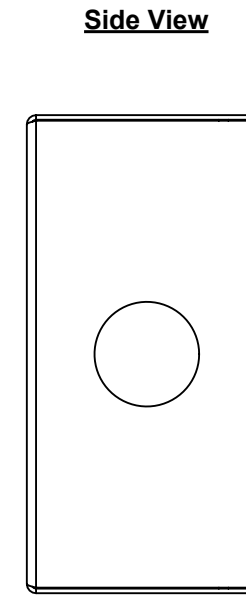
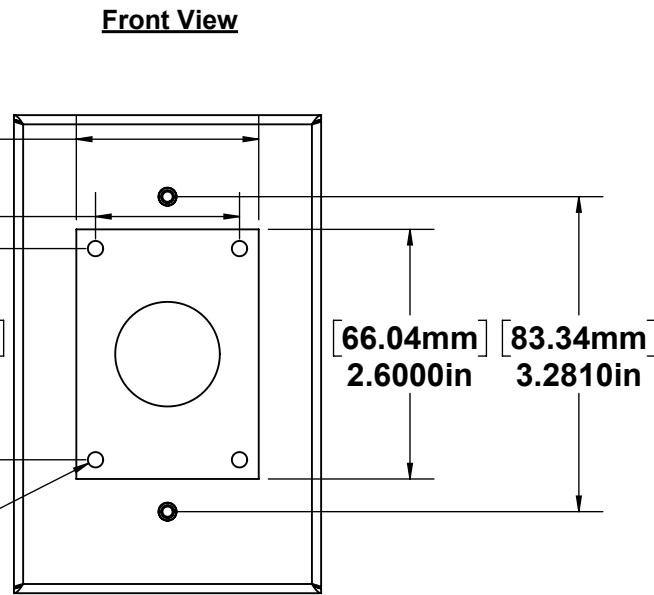
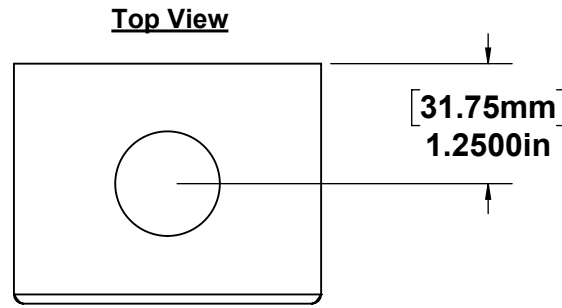
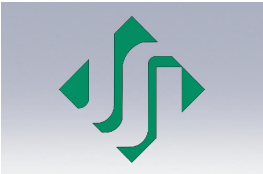


ITEM NO.	PART NUMBER	Material	Thickness	QTY.
1	1 Gang Surface Mount Box Back panel	AISI 1020 Steel, Cold Rolled	0.048	1
2	1 Gang Surface Mount Box Top Cover	AISI 1020 Steel, Cold Rolled	0.048	1



	DIMENSIONS ARE IN INCHES UNLESS OTHERWISE SPECIFIED TOLERANCES: FRACTIONAL ± 1/64" ANGULAR: BEND ± 01% THREE PLACE DECIMAL ± .005"	Drawn by: Wentzel (Vince) Dippenaar	<b>JOHNSON SYSTEMS INC.</b> 1923 Highfield Crescent SE. Calgary, Alberta Canada T2G 5M1 (403) 287-8003 (403) 287-9003 Fax	
		Date: 10/11/23		
		Rev: 01		
		Page: Sheet 4 of 4		
		Scale: 1:2		
Finish: <b>Black or White</b>		THE INFORMATION CONTAINED IN THIS DRAWING IS THE SOLE PROPERTY OF JOHNSON SYSTEMS INC. ANY REPRODUCTION IN PART OR AS A WHOLE WITHOUT THE WRITTEN PERMISSION OF JOHNSON SYSTEMS INC. IS PROHIBITED.	Project: PRESIDOR Single Gang Surface Box	
Note: -			Note: -	