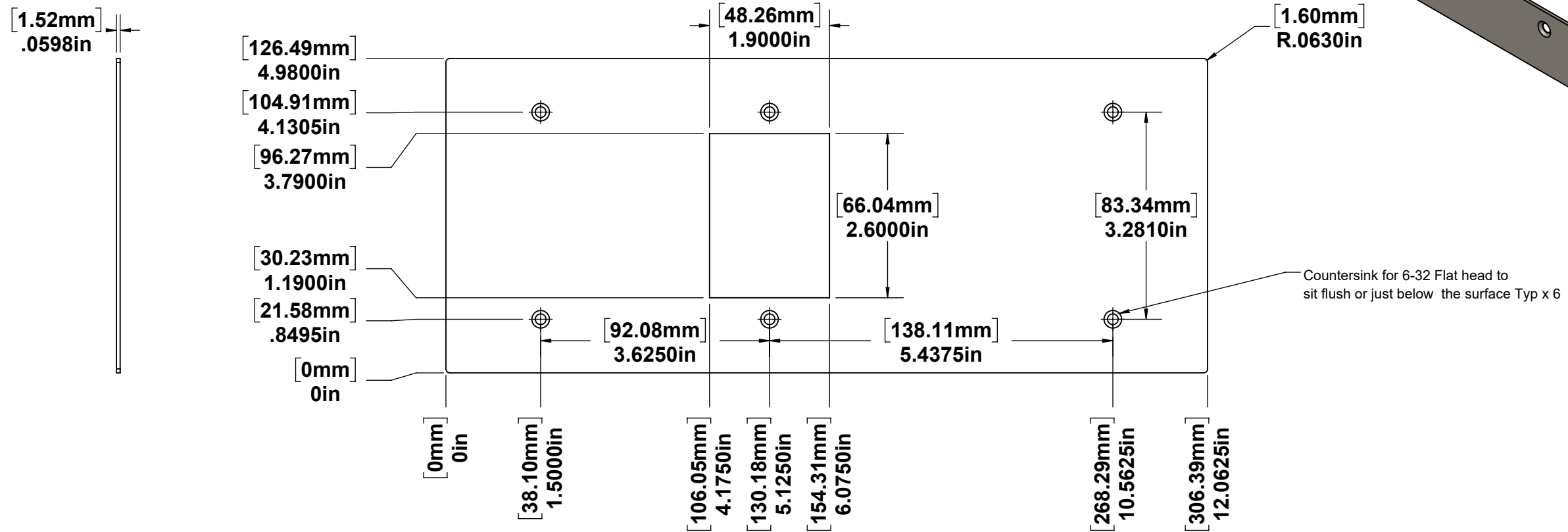
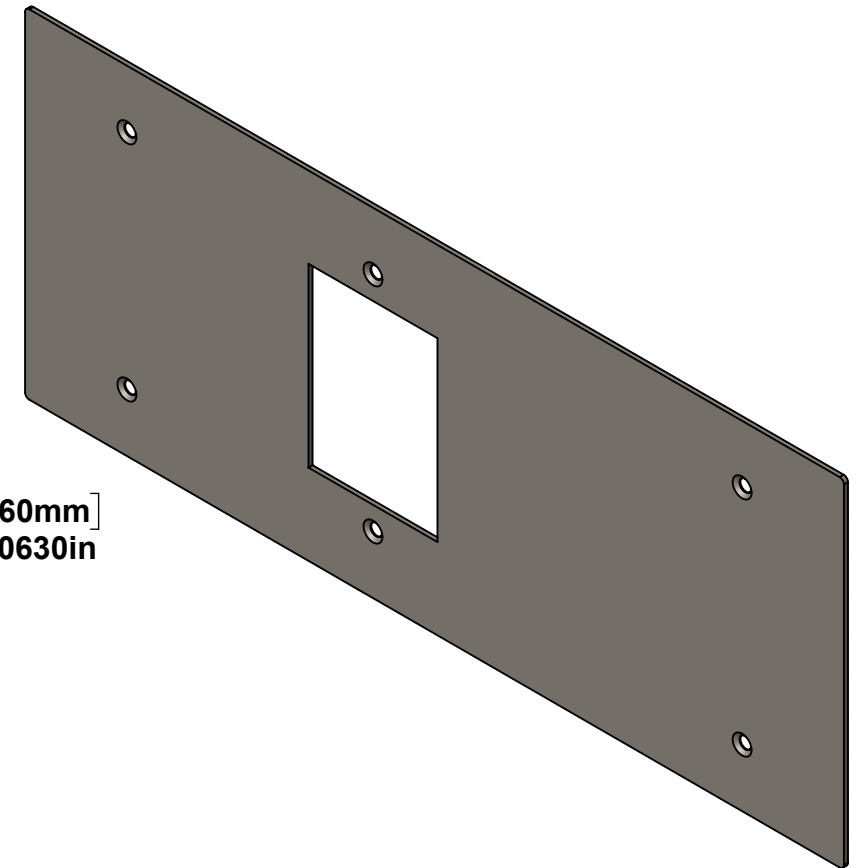



ITEM NO.	PART NUMBER	Material	Thickness	QTY.
1	PA-6A1	AISI 1020 Steel, Cold Rolled	0.0598 Inch	1



	DIMENSIONS ARE IN INCHES UNLESS OTHERWISE SPECIFIED TOLERANCES: FRACTIONAL 1/64" ANGULAR: BEND 01% THREE PLACE DECIMAL .005"	Drawn by:	Wentzel (Vince) Dippenaar	JOHNSON SYSTEMS INC. 1923 Highfield Crescent SE. Calgary, Alberta Canada T2G 5M1 (403) 287-8003 (403) 287-9003 Fax	
		Date:	1/24/20		
		Rev:	19		
		Page:	Sheet 1 of 1		
		Scale:	1:2		
Finish:	White or Black	THE INFORMATION CONTAINED IN THIS DRAWING IS THE SOLE PROPERTY OF JOHNSON SYSTEMS INC. ANY REPRODUCTION IN PART OR AS A WHOLE WITHOUT THE WRITTEN PERMISSION OF JOHNSON SYSTEMS INC. IS PROHIBITED.		Project:	PA-6A1
Note:	-			Note:	-