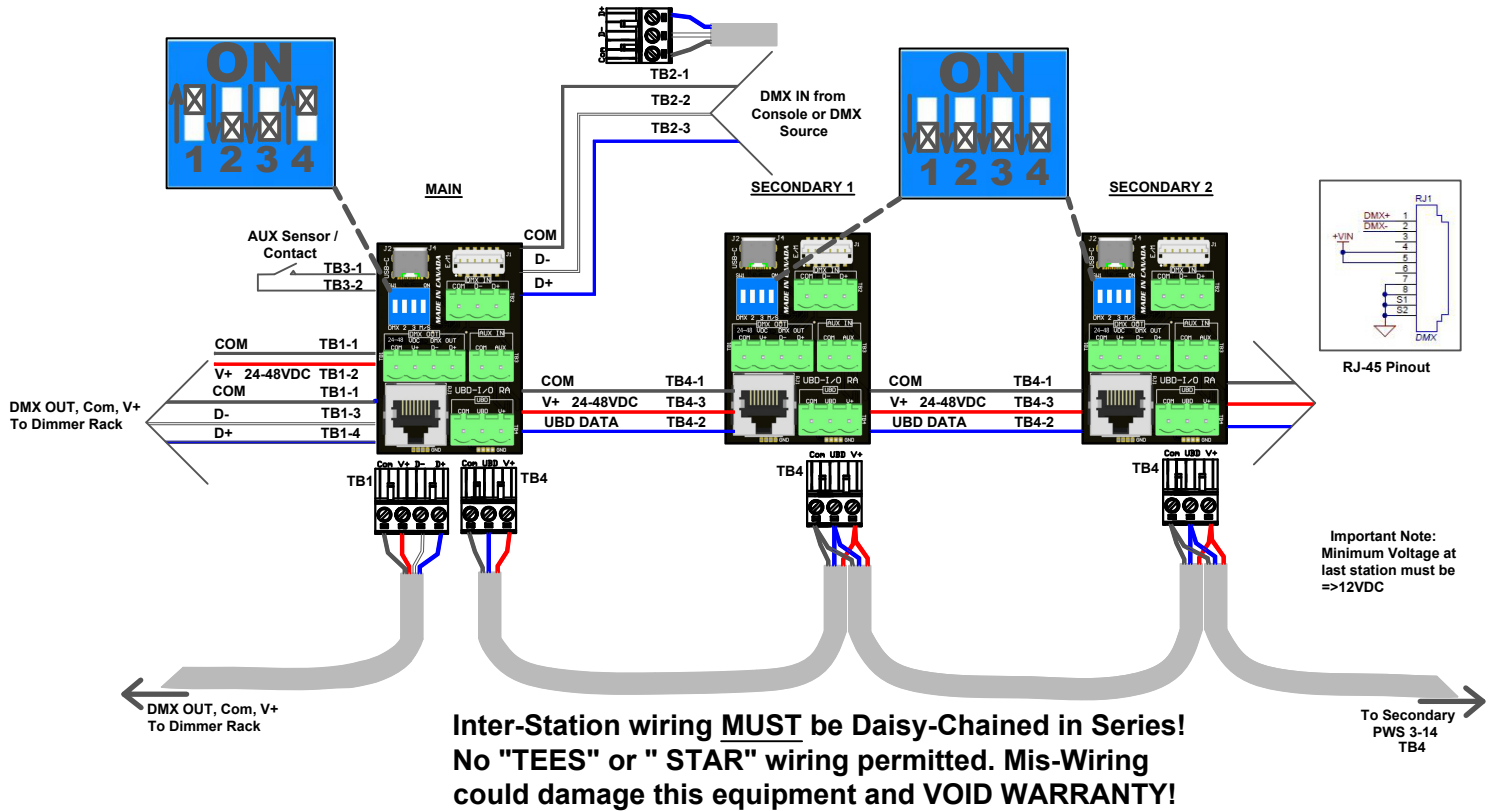


Typical PWS-20P-RETRO Wiring and Connection Detail



THIS INFORMATION IS THE SOLE PROPERTY OF JOHNSON SYSTEMS INC. ANY DUPLICATION OR CIRCULATION OF THIS INFORMATION IN WHOLE OR IN PART IS STRICTLY PROHIBITED WITHOUT THE EXPRESSED WRITTEN CONSENT OF JOHNSON SYSTEMS INC.

UNLESS OTHERWISE SPECIFIED DIMENSIONS ARE IN INCHES.

TOLERANCES ARE:
FRACTIONS DECIMALS ANGLES
1/64" .002" .01°

Revision # 2.0

PART # PWS-20P-RETRO I/O WIRING

JOHNSON SYSTEMS INC.

1923 HIGHFIELD CRES. S.E.
CALGARY, ALBERTA
CANADA T2G 5M1
(403)287-8003
(403)287-9003 FAX



PROJECT:	PWS-20P-RETRO I/O WIRING
DATE:	Nov 10, 2021
DRAWN BY:	Wentzel Dippenaar (Vince)
APPROVED BY:	Shaun Johnson
FINISH:	TBA
MATERIAL:	TBA