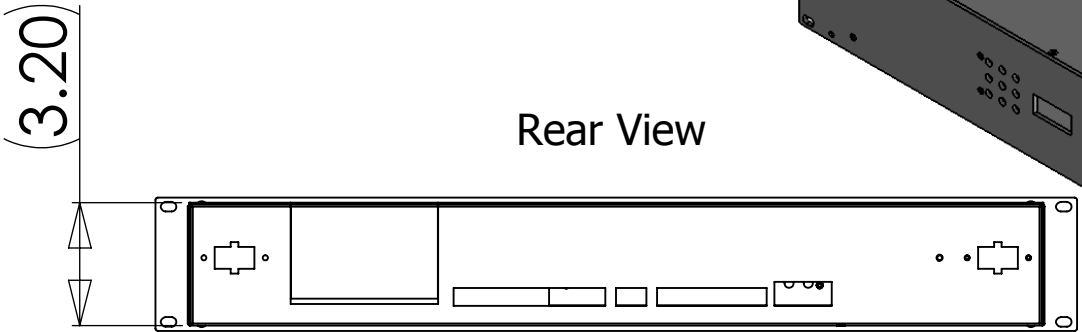
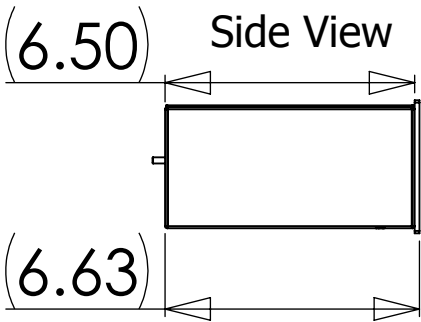


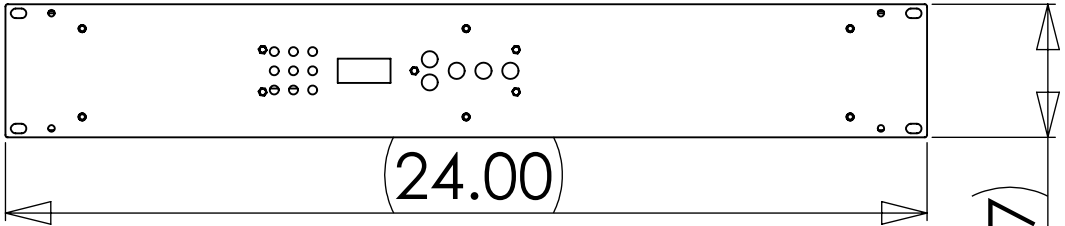
Rear View



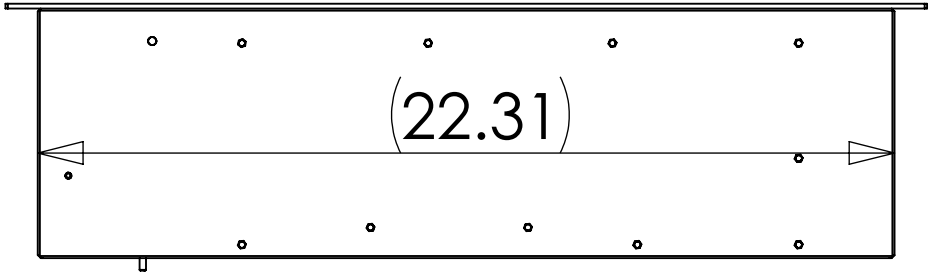
Front View



Side View



Bottom View



DIMENSIONS ARE IN INCHES UNLESS OTHERWISE SPECIFIED  
 TOLERANCES:  
 FRACTIONAL ± 1/64"  
 ANGULAR: BEND ±01%  
 THREE PLACE DECIMAL ± .005"

MATERIAL	<b>18 Gauge CRS</b>	
FINISH	<b>Cardinal Hammer Tex - Black</b>	
DO NOT SCALE DRAWING		

	NAME	DATE
DRAWN	W.Dippenaar	10/06/2011
CHECKED	S.Johnson	10/06/2011
REV.	1.0	

THE INFORMATION CONTAINED IN THIS DRAWING IS THE SOLE PROPERTY OF JOHNSON SYSTEMS INC. ANY REPRODUCTION IN PART OR AS A WHOLE WITHOUT THE WRITTEN PERMISSION OF JOHNSON SYSTEMS INC. IS PROHIBITED.

**JOHNSON SYSTEMS INC.**

**1923 Highfield Crescent SE.  
 Calgary, Alberta  
 Canada T2G 5M1  
 (403) 287-8003  
 (403) 287-9003 Fax**



Part #	EDI - 120
Note:	---
SCALE:1:10	