

DIMENSIONS ARE IN INCHES UNLESS OTHERWISE SPECIFIED  
 TOLERANCES:  
 FRACTIONAL  $\pm 1/64$ "  
 ANGULAR: BEND  $\pm 01\%$   
 THREE PLACE DECIMAL  $\pm .005$ "

File Location:  
 E:\JSI Product\CS-SA Super Analog\Metal\Rev8\

MATERIAL  
**0.080" Alluminum**  
 FINISH  
**Cardinal C241-BK303 Black Texture**

DO NOT SCALE DRAWING

	NAME	DATE
DRAWN	W.Dippenaar	2/6/2014
CHECKED	S.Johnson	2/6/2014
REV.	01	

THE INFORMATION CONTAINED IN THIS DRAWING IS THE SOLE PROPERTY OF JOHNSON SYSTEMS INC. ANY REPRODUCTION IN PART OR AS A WHOLE WITHOUT THE WRITTEN PERMISSION OF JOHNSON SYSTEMS INC. IS PROHIBITED.

**JOHNSON SYSTEMS INC.**

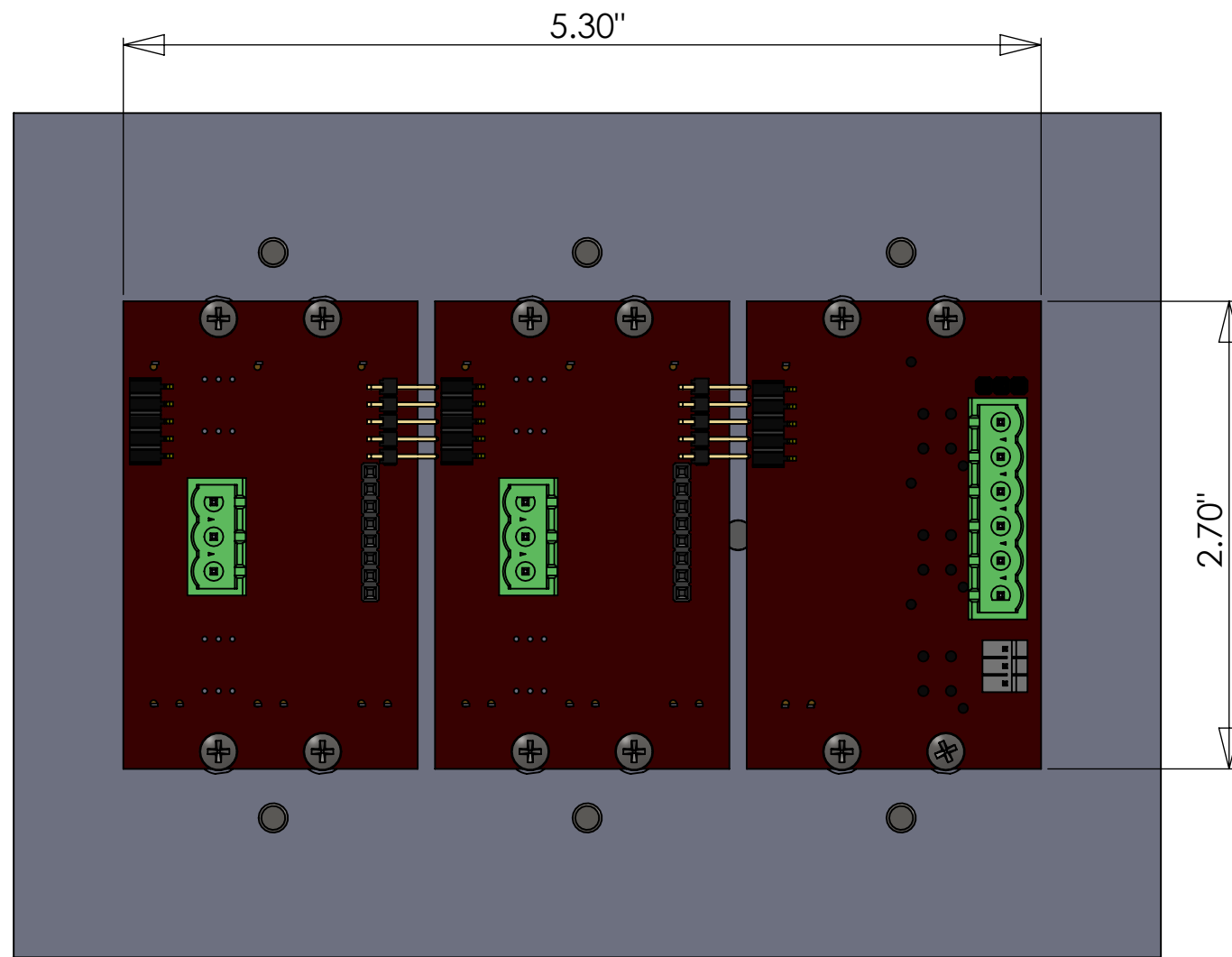
**1923 Highfield Crescent SE.  
 Calgary, Alberta  
 Canada T2G 5M1  
 (403) 287-8003  
 (403) 287-9003 Fax**



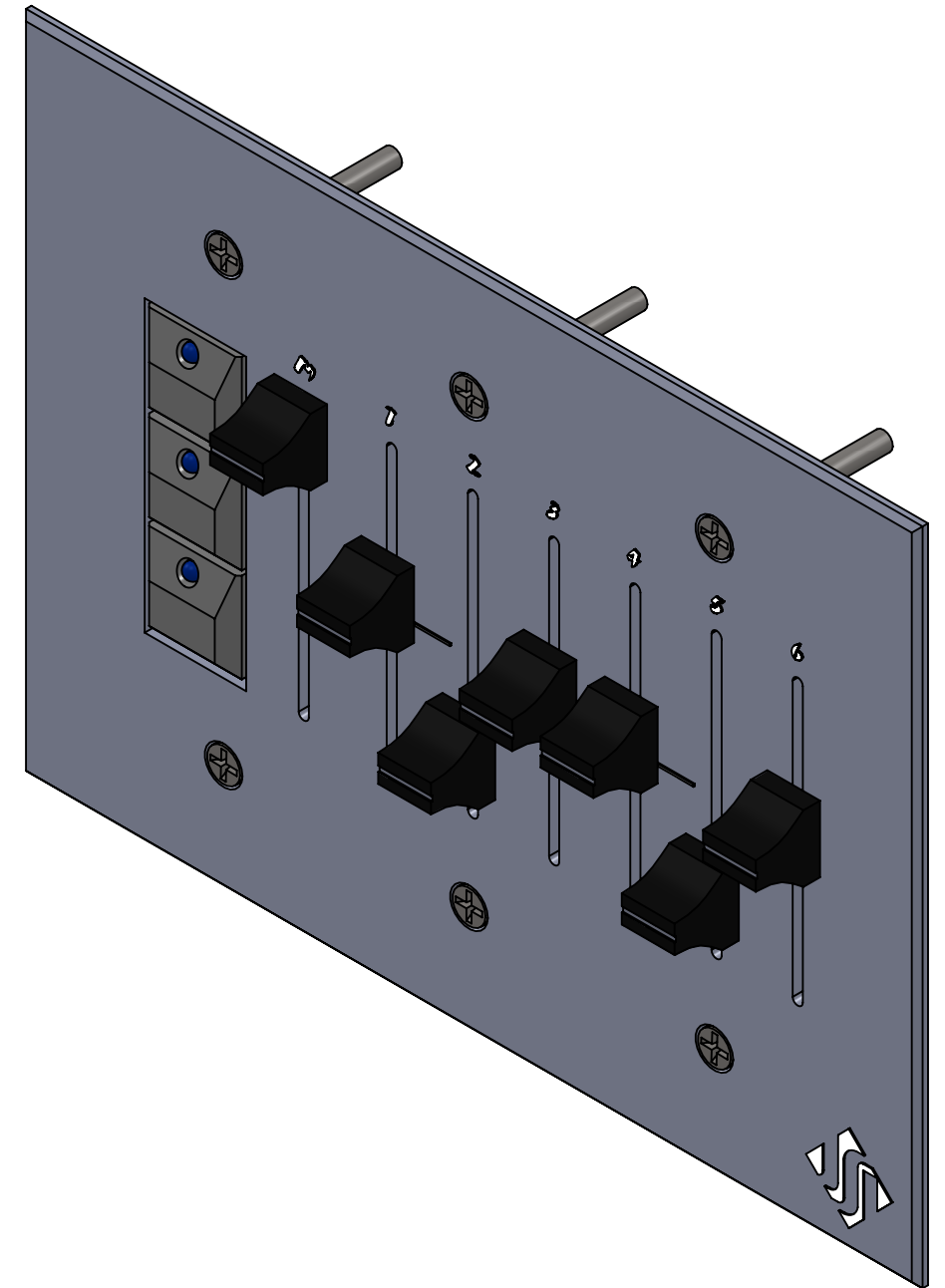
Part # CS-SA-6 Complete

Note: -----

SCALE:1:2



SCALE 1 : 1



SCALE 1 : 1

DIMENSIONS ARE IN INCHES UNLESS OTHERWISE SPECIFIED  
 TOLERANCES:  
 FRACTIONAL ± 1/64"  
 ANGULAR: BEND ±01%  
 THREE PLACE DECIMAL ± .005"  
 File Location: E:\JSI Product\CS-SA Super Analog\Metal\Rev8\

MATERIAL  
**0.0800" Alluminum**  
 FINISH  
**Cardinal C241-BK303 Black Texture**

DO NOT SCALE DRAWING

	NAME	DATE
DRAWN	W.Dippenaar	2/6/2014
CHECKED	S.Johnson	2/6/2014
REV.	01	

THE INFORMATION CONTAINED IN THIS DRAWING IS THE SOLE PROPERTY OF JOHNSON SYSTEMS INC. ANY REPRODUCTION IN PART OR AS A WHOLE WITHOUT THE WRITTEN PERMISSION OF JOHNSON SYSTEMS INC. IS PROHIBITED.

**JOHNSON SYSTEMS INC.**

**1923 Highfield Crescent SE.  
 Calgary, Alberta  
 Canada T2G 5M1  
 (403) 287-8003  
 (403) 287-9003 Fax**



Part # CS-SA-6 Complete

Note: -----

SCALE:1:2