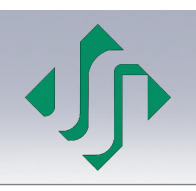
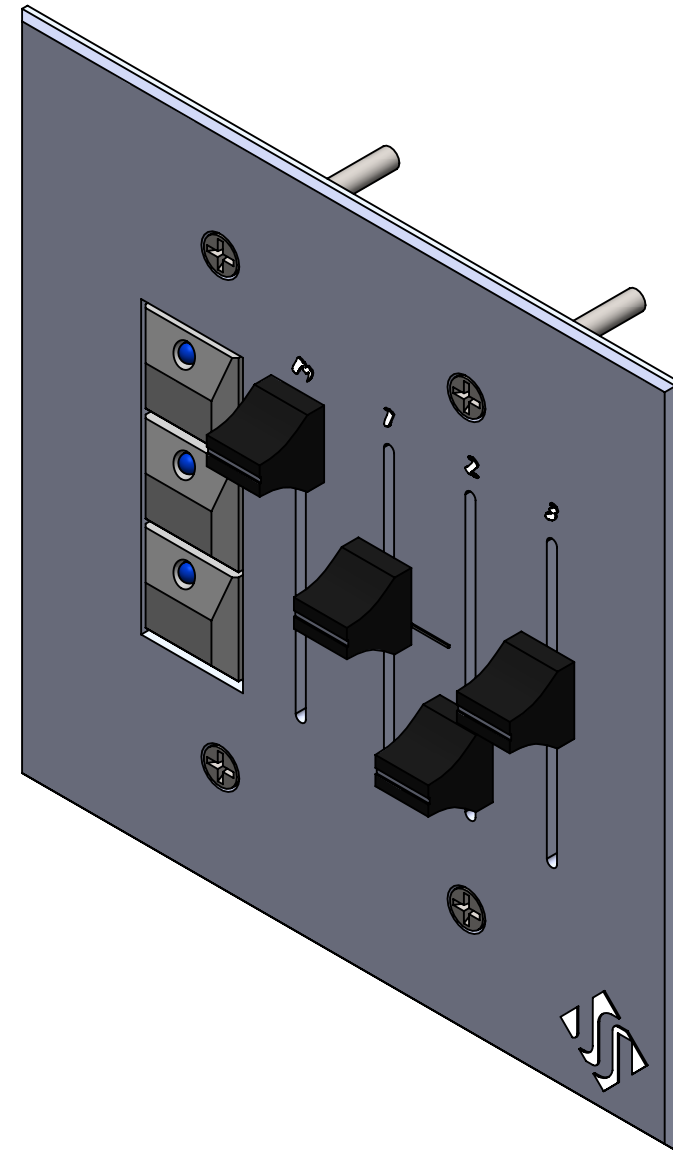



SCALE 1 : 1

DIMENSIONS ARE IN INCHES UNLESS OTHERWISE SPECIFIED TOLERANCES: FRACTIONAL $\pm 1/64$ " ANGULAR: BEND $\pm 0.1\%$ THREE PLACE DECIMAL $\pm .005$ "	File Location: E:\JSI Product\CS-SA Super Analog\Metal\Rev8\	<table border="1"> <thead> <tr> <th>NAME</th> <th>DATE</th> </tr> </thead> <tbody> <tr> <td>DRAWN W.Dippenaar</td> <td>2/6/2014</td> </tr> <tr> <td>CHECKED S.Johnson</td> <td>2/6/2014</td> </tr> <tr> <td>REV.</td> <td>03</td> </tr> </tbody> </table>	NAME	DATE	DRAWN W.Dippenaar	2/6/2014	CHECKED S.Johnson	2/6/2014	REV.	03	JOHNSON SYSTEMS INC. 1923 Highfield Crescent SE. Calgary, Alberta Canada T2G 5M1 (403) 287-8003 (403) 287-9003 Fax	
	NAME	DATE										
DRAWN W.Dippenaar	2/6/2014											
CHECKED S.Johnson	2/6/2014											
REV.	03											
MATERIAL 0.0800" Alluminum FINISH Cardinal C241-BK303 Black Texture	THE INFORMATION CONTAINED IN THIS DRAWING IS THE SOLE PROPERTY OF JOHNSON SYSTEMS INC. ANY REPRODUCTION IN PART OR AS A WHOLE WITHOUT THE WRITTEN PERMISSION OF JOHNSON SYSTEMS INC. IS PROHIBITED.	Part # CS-SA-3 Complete Note: -----										
DO NOT SCALE DRAWING				SCALE:1:2								



SCALE 1 : 1

DIMENSIONS ARE IN INCHES UNLESS OTHERWISE SPECIFIED TOLERANCES: FRACTIONAL $\pm 1/64"$ ANGULAR: BEND $\pm 01\%$ THREE PLACE DECIMAL $\pm .005"$	File Location: E:\JSI Product\CS-SA Super Analog\Metal\Rev8\		NAME	DATE	JOHNSON SYSTEMS INC. 1923 Highfield Crescent SE. Calgary, Alberta Canada T2G 5M1 (403) 287-8003 (403) 287-9003 Fax	
			DRAWN	W.Dippenaar		
MATERIAL			CHECKED	S.Johnson	2/6/2014	
FINISH			REV.	03		
18 Gauge CRS Cardinal Black Hammer Epoxy E311-BK04 Semi-Gloss Hammer			THE INFORMATION CONTAINED IN THIS DRAWING IS THE SOLE PROPERTY OF JOHNSON SYSTEMS INC. ANY REPRODUCTION IN PART OR AS A WHOLE WITHOUT THE WRITTEN PERMISSION OF JOHNSON SYSTEMS INC. IS PROHIBITED.			
DO NOT SCALE DRAWING						Part # CS-SA-3 Complete
						Note: -----
						SCALE:1:2