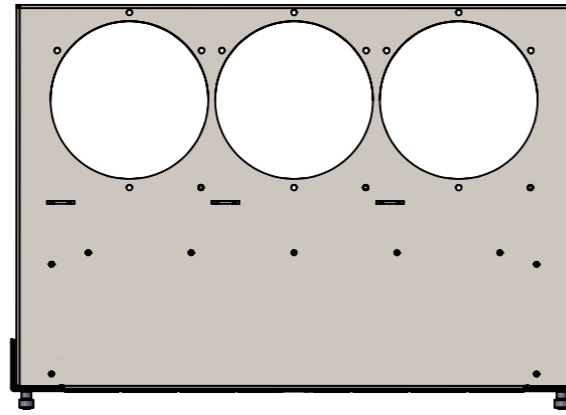
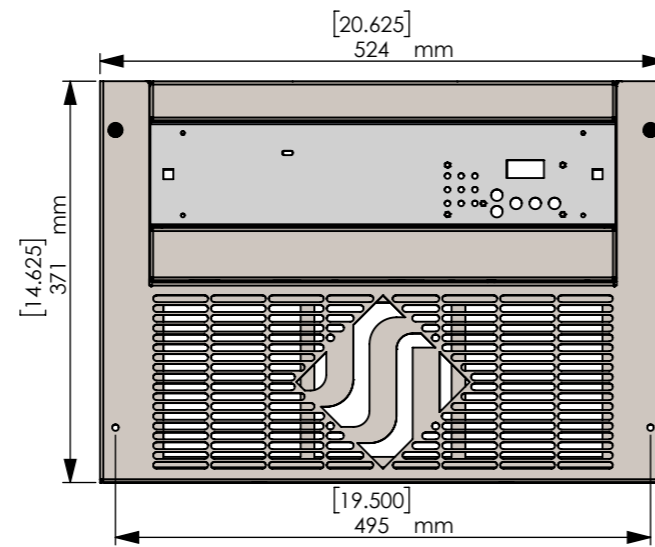


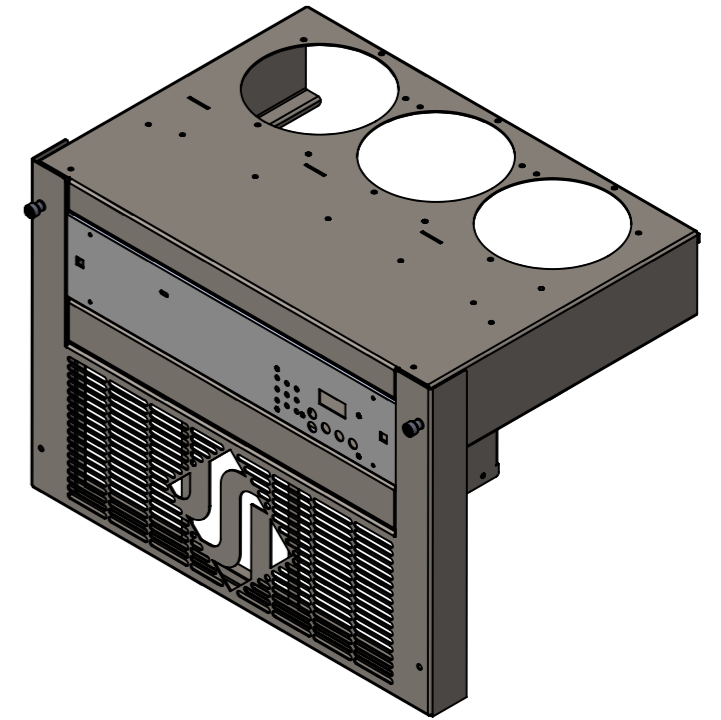
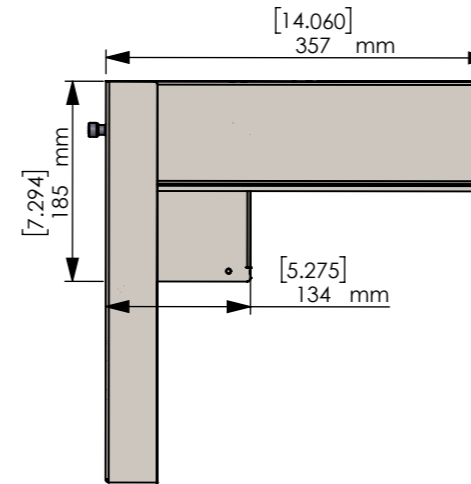
Top View



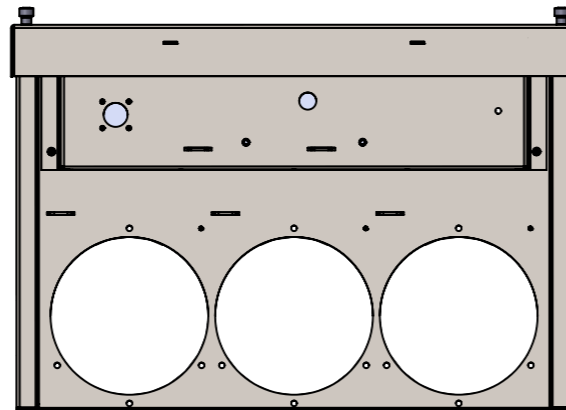
Front View



Side View



Bottom View



INJECTION MOLDING		
	0-5 in (0-125 mm)	5+ in (125+ mm)
LOCATION	+0.005in (0.13mm)	add±0.001in (0.0325mm)
HOLE SIZE	±0.005in (0.13mm)	add±0.001in (0.0325mm)
ANGLE	0.5°	0.5°

MATERIAL	-	COLOR	
FINISH	-	UNITS:	mm [in]
DO NOT SCALE DRAWING	VOLUME: cm ³	WEIGHT: g	PAGE: 13/13

	NAME	DATE
DRAWN	W.Dippenaar	11/17/21
CHECKED	S.Johnson	11/17/21
REV.		

THE INFORMATION CONTAINED IN THIS DRAWING IS THE SOLE PROPERTY OF JOHNSON SYSTEMS INC. ANY REPRODUCTION IN PART OR AS A WHOLE WITHOUT THE WRITTEN PERMISSION OF JOHNSON SYSTEMS INC. IS PROHIBITED.

JOHNSON SYSTEMS INC.
 1923 Highfield Crescent SE.
 Calgary, Alberta
 Canada T2G 5M1
 (403) 287-8003
 (403) 287-9003 Fax



Part # **CD-3000-AE**
 Note: SCALE: 1:10